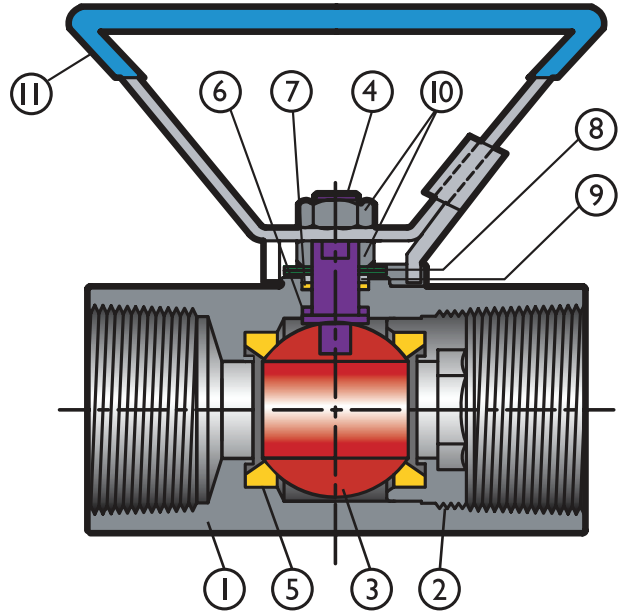


# STEAMBALL

## ULTRA-TIGHT SHUT OFF BALL VALVES FOR STEAM SERVICE



### DESIGN FEATURES

- REDUCED PORT, ECONOMICAL STEAM VALVE
- NPT ENDS TO ASME B1.20.1
- ONE PIECE BODY
- POLYCARBON SEATS STANDARD
- STANDARD 316SS BALL AND STEM
- BLOWOUT-PROOF STEM
- STANDARD OVAL LOCKING LEVER HANDLES
- ASME B16.34, CLASS 800 COMPLIANT
- API 608 COMPLIANT
- FIRE SAFE TO API 607 4TH EDITION
- NACE MR01-75 COMPLIANT

### PARTS LIST AND STANDARD MATERIALS

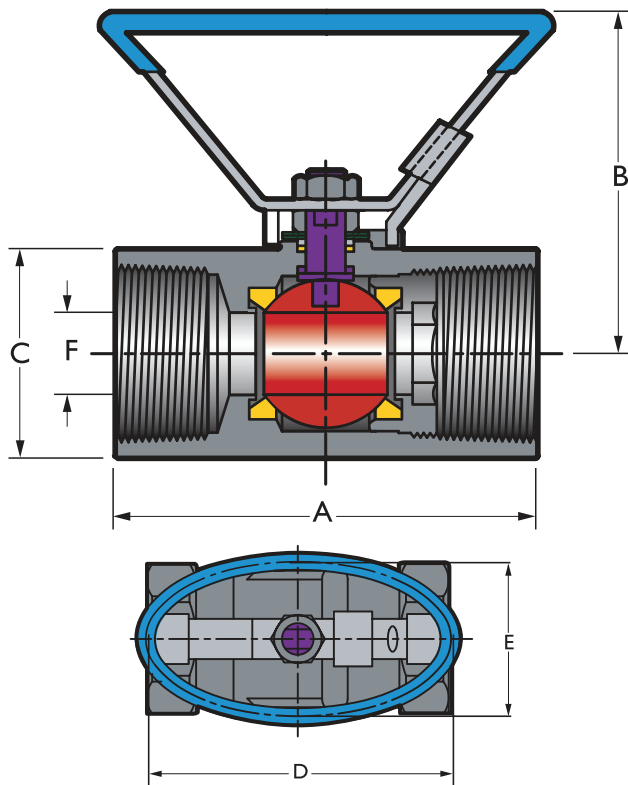
ITEM	DESCRIPTION	SPECIFICATIONS
1	BODY	A216-WCB
2	SPACER	A216-WCB
3	BALL	316 STAINLESS STEEL
4	STEM	316 STAINLESS STEEL
(1) 5	SEAT	POLYCARBON
(1) 6	STEM SEAL	GRAPHOIL
(1) 7	STEM PACKING	GRAPHOIL
8	BELL WASHER	W1-8 CS (SK5)
9	GLAND	304 STAINLESS STEEL
10	NUT	A283 CARBON STEEL
11	HANDLE	A283 CARBON STEEL

Phone: 1-800-546-0705

E-Mail: [sales@steamball.com](mailto:sales@steamball.com)

# STEAMBALL

## ULTRA-TIGHT SHUT OFF BALL VALVES FOR STEAM SERVICE



### UPPER PRESSURE LIMITS (NON-SHOCK)

BODY MATERIAL	M.A.W.P. PSIG (BARS)
A216-WCB	2000 (137.9)

NOTE: Steam rating is 250 psig at 406°F Saturated Steam

### UPPER TEMPERATURE LIMITS

SEAL MATERIAL	UPPER LIMITS °F (°C)
PolyCarbon	650° (343°)

### LOWER TEMPERATURE LIMITS

BODY MATERIAL	LOWER LIMIT F (°C)
A216-WCB	- 20° (-28.9°)

SIZE in/mm	A in/mm	B in/mm	C in/mm	D in/mm	E in/mm	F in/mm	Weight Lb./Kg.	Torque in-Lbs./ N-M	CV
1/4	2.28	2.84	1.00	3.35	2.00	0.35	0.66	50	1.0
8	58	72	25	85	51	9	0.30	5.6	
3/8	2.28	2.84	1.00	3.35	2.00	0.35	0.68	50	2.5
10	58	72	25	85	51	9	0.31	5.6	
1/2	2.63	2.84	1.00	3.35	2.00	0.35	0.75	100	5.5
15	67	72	25	85	51	9	0.34	11.3	
3/4	2.88	2.86	1.31	3.35	2	0.47	0.95	120	10.0
20	73	73	33	85	51	12	0.43	13.6	
1	3.13	3.19	1.56	4.65	2.5	0.62	2.00	130	15.5
25	80	81	40	118	64	16	0.91	14.7	
1-1/4	3.5	3.21	1.93	4.65	2.5	0.81	2.25	245	20.0
35	89	82	49	118	64	21	1.02	27.7	
1-1/2	3.88	3.71	2.25	5.04	3.03	1.00	3.50	365	37.0
40	99	94	57	128	77	25	1.59	41.2	
2	4.25	3.91	2.69	5.04	3.03	1.25	5.00	590	60.0
50	108	99	68	128	77	32	2.27	66.7	

Phone: 1-800-546-0705

E-Mail: [sales@steamball.com](mailto:sales@steamball.com)